

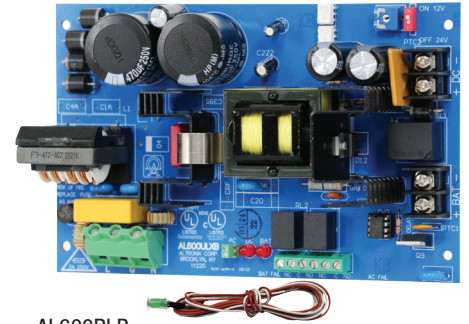
AL600RLB

Power Supply/Charger Board with LED Cable Assembly

Ordering# AL600RLB

Kit Contents: AL600ULXB with LED Cable Assembly

Altronix AL600RLB power supply/charger converts a 115VAC, 60Hz input into a single 12VDC or 24VDC non power-limited output. It also offers a suite of features that includes AC fail supervision, battery presence, and low battery supervision. Includes LED cable assembly and LED lens.



AL600RLB

Specifications

Input

Voltage	115VAC 60Hz, 3.5A max.
Input Fuse	5A/250V

Output

Voltage	12VDC or 24VDC selectable
Current	6A continuous supply current
Other	Short circuit and thermal overload protection Filtered and regulated

Battery Charging

Type	Sealed lead acid or gel type
Failover	Upon AC loss, instantaneous
Batteries are sold separately	

Supervision

AC Failure	Form "C" contacts
Battery	Form "C" contacts

Indicators (LED)

Input	115VAC is present
DC Output	Powered
Battery	Discharged or not connected

Agency Listings (AL600ULXB)

UL:

UL294	Access Control
UL603	Burglar Alarm
UL1481	Fire Alarm

cUL:

Signal Equipment CSA C22.2 No.205-M1983

Physical and Environmental

Dimensions (L x W x H)

Board: 7.1" x 4.5" x 2" (180.3mm x 114.3mm x 50.8mm)
Shipping: 10" x 8" x 4" (254mm x 203.2mm x 101.6mm)

Weight (approx.)

Product Weight:	0.8 lb. (0.36 kg)
Shipping Weight:	0.95 lb. (0.43 kg)

Temperature

Operating:	0°C to 49°C (32°F to 120°F)
Storage:	- 20°C to 70°C (- 4°F to 158°F)

Relative Humidity

85% +/- 5%

BTU/Hr (approx.)

12VDC:	37 BTU/Hr.
24VDC:	74 BTU/Hr.

Lifetime Warranty

AL600RLB

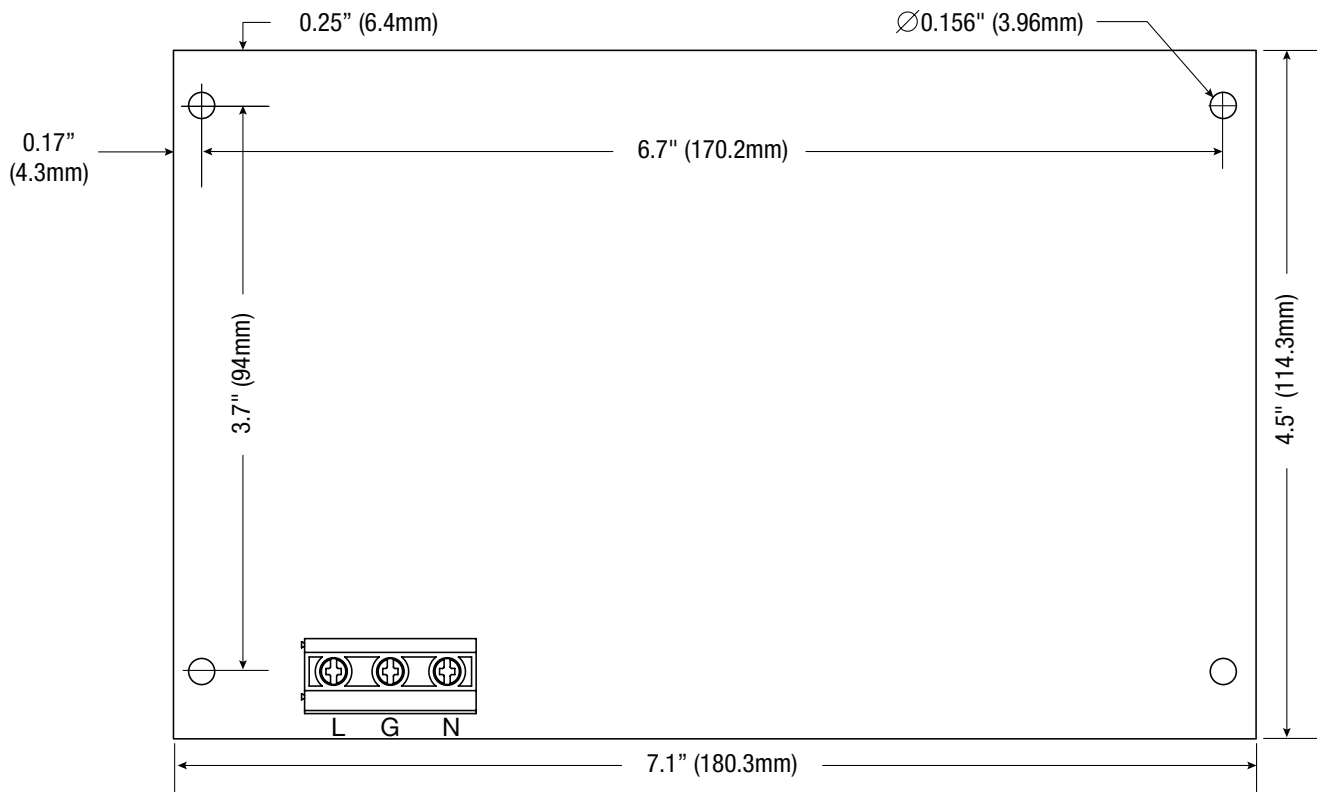
Power Supply/Charger Board with LED Cable Assembly

Dimensions and Drawing

Board Dimensions (L x W x H approximate)

7.1" x 4.5" x 2" (180.3mm x 114.3mm x 50.8mm)

Mounting Holes' Tolerance: +/- 0.04 in. (1mm)



Lifetime Warranty

Altronix Corporation | 140 58th St | Brooklyn, NY 11220 USA

phone: +1 718.567.8181 | fax: +1 718.567.9056 | email: info@altronix.com | www.altronix.com