

NetWaySP4WPN

4-port Outdoor Hardened PoE Switch



Altronix NetWaySP4WPN Outdoor PoE+ Hardened Switch provides two (2) 1Gb SFP (Fiber) ports and four (4) PoE+ (30W) or two (2) Hi-PoE (60W) ports, passing data for PoE/PoE+/Hi-PoE compliant devices. Cameras/edge devices may be located up to 100m from the unit. Embedded LINQ Technology allows you to monitor, control, and report power and diagnostics from anywhere.



NetWaySP4WPN

Key Features

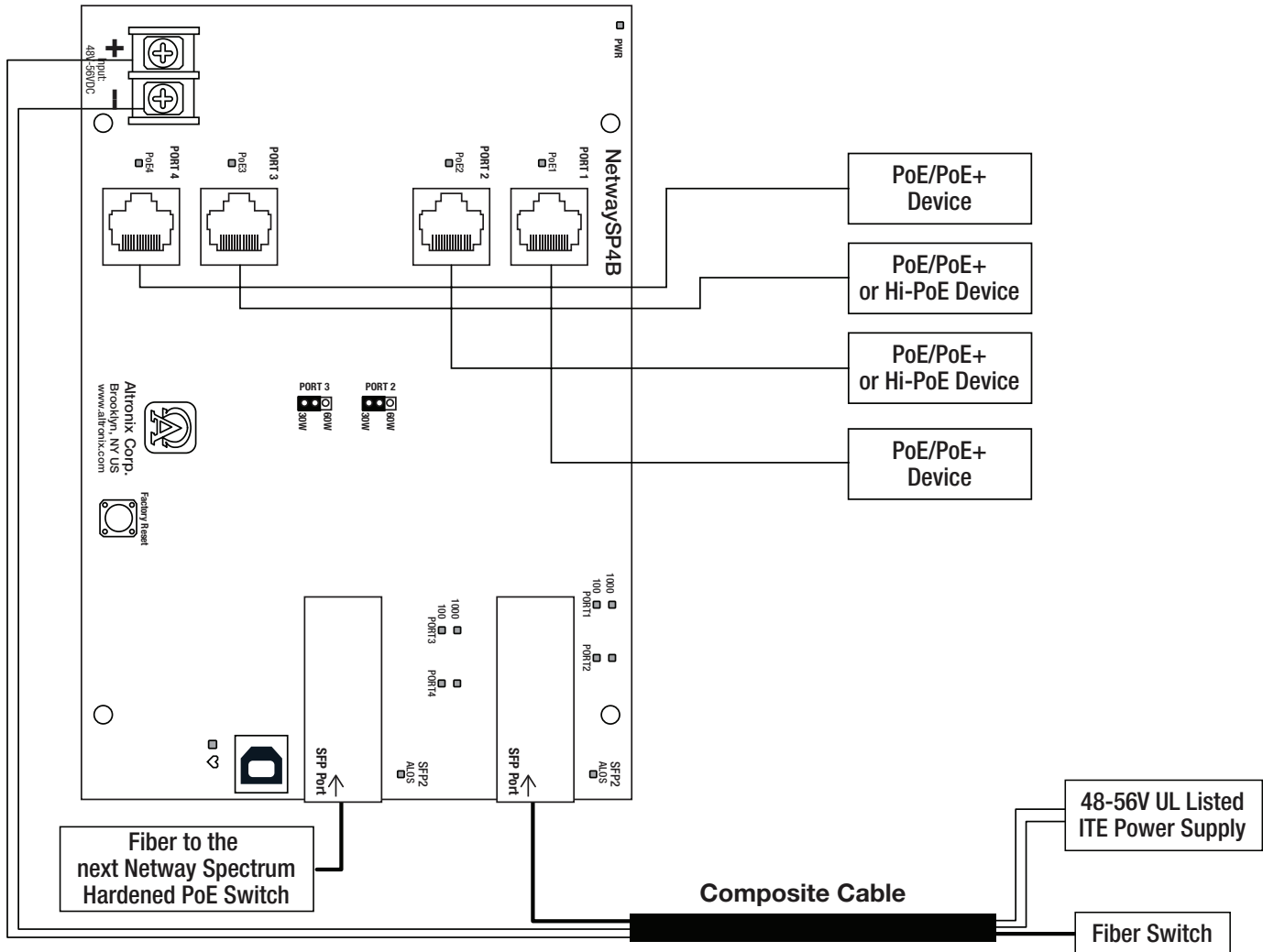
- Two (2) Gigabit SFP ports
- 120W total power:
 - Four (4) PoE/PoE+ (up to 30W) ports or two (2) Hi-PoE (60W) ports
- Four (4) 10/100/1000 Mbps ports
- IEEE 802.3at (30W), IEEE 802.3af (15W) compliant, or Hi-PoE (60W).
- PoE activity LED indicators
- VLAN (Virtual Local Area Networks) subnetwork allows for the grouping together of devices for improved network traffic and higher security.
- UL Listed in the U.S. and Canada
- CE European Conformity
- Lifetime Warranty

Similar products

NetWaySP4WPX	Outdoor 4-port PoE+ Hardened Switch in NEMA 4/4X, IP66-11 enclosure which accommodates stand-by batteries
NetWaySP4WP	Outdoor 4-port PoE+ Hardened Switch in NEMA 4/4X, IP66-11 enclosure
NetWaySP4X	Indoor 4-port PoE+ Hardened Switch in NEMA 1 Rated indoor enclosure
NetWaySP4PL	4-port PoE+ Hardened Switch with Integral Power on a Backplane
NetWaySP4B	4-port PoE+ Hardened Switch (board only)

Lifetime Warranty

Typical Composite (Fiber + Copper) Application



Lifetime Warranty



NetWaySP4WPN

4-port Outdoor Hardened PoE Switch



Specifications

Input

Voltage 48-56V UL Listed ITE power supply (up to 120W)

Power Output

Maximum Power Four (4) PoE+ (30W) ports or two (2) Hi-PoE (60W) ports IEEE 802.3at (30W) and IEEE 802.3af (15W) compliant 120W total power Integral surge protection

Fiber Ports: Two (2) Gigabit SFP ports

Ethernet Ports: Four (4) 10/100/1000 Mbps ports. Connectivity: RJ45, auto-crossover Wire type: 4-pair CAT5 or better structured cable Distance: up to 100m. Speed: 10/100/1000 Mbps, half/full duplex, auto negotiation

Indicators (LED)

Individual PoE On LEDs for each port
Individual IP Link status, 10/100Base-T/active LEDs for each port
ALOS LED indicates fiber connection for SFP port
Heartbeat LED indicates proper operation of the unit

VLAN:

Multiple management VLAN assignment
802.1Q Tagged VLAN. Up to 10 VLAN groups. ID Range 2-4095.

LINQ Technology:

Remote network management allows for camera/device reset and monitoring Provides local and/or remote access to critical information via LAN/WAN. Email and Windows Dashboard Alert notifications report real-time diagnostics. Event log tracks history.

Agency Listings

UL/cUL UL60950-1 (Information Technology Equipment). UL60950-22 (Information Technology Equipment to be installed Outdoors). CE European Conformity

Physical and Environmental

Enclosure Dimensions (H x W x D approx.): 13.31" x 11.31" x 5.59" (338.1mm x 287.3mm x 142mm)
NEMA 4/4X, IP66-11 Rated enclosure for outdoor use
Product Weight / Shipping (approx.)
Product Weight: 9.5 lb. (4.3 kg).
Shipping Weight: 10.9 lb. (4.9 kg)
Temperature
Operating (120W): -40°C to 75°C (-40°F to 167°F)
Storage: -40°C to 85°C (-40°F to 185°F)
Relative Humidity: 85% +/-5%
Operating Altitude: -304.8 to 2,000m

Accessories (order separately)



NetWaySP1A -
Ethernet over Fiber Media Converter/Repeater
For Applications requiring an additional SFP (Fiber) Port

NetWaySP1A PoE powered media converter/repeater converts 10/100/1000 Mbps to Fiber (1000Base-X/SX/LX).



4-port Ethernet over Fiber Media Converter for applications utilizing composite or conventional cabling

NetWaySP4 -

Unit passes a maximum power up to 120W per port from a Power Supply or Midspan Injector. Four (4) 1Gb SFP ports.

NetWaySP4P -

Unit passes a maximum power up to 120W per port from a built-in Power Supply/Charger. Four (4) 1Gb SFP ports.

NetWaySP4P2 -

Unit passes 56VDC power-limited 60W max. per port from a built-in Power Supply/Charger. Four (4) 1Gb SFP ports.

SFP Modules - Hot pluggable Transceivers

- P1MM** Multi-Mode SFP Module for distances up to 550m.
- P1SM10** Single-Mode SFP Module for distances up to 10km.
- P1AB2K** Single Strand SFP Module for distances up to 2km.
- P1GCE** Copper SFP Module for distances up to 100m.

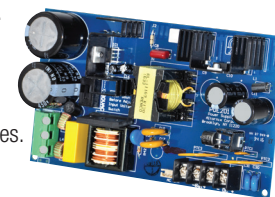


POE60 -

75W Power Supply/Lithium Iron Phosphate Charger
Provides 75W for NetWay Spectrum switches. It also features a built-in charger for Lithium Iron Phosphate batteries.

POE201 -

120W Power Supply/Charger
Provides 120W for NetWay Spectrum switches. It also features a built-in charger for sealed lead acid or gel type batteries.



PMK1 - Pole Mount Kit

Designed to simplify installation of outdoor units (WP1, WP3 and WP4). It accommodates 2" - 8" (diameter) poles.



Lifetime Warranty

Altronix Corporation | 140 58th St | Brooklyn, NY 11220 USA
phone: +1 718.567.8181 | fax: +1 718.567.9056 | email: info@altronix.com | www.altronix.com