

Access & Power Integration

Altronix Trove2/Mercury Kits with PTC Outputs

4 Door Kits:

T2MK3F4DV

Fully assembled kit includes:

- Trove2 enclosure with TM2 Altronix/Mercury backplane
- (1) eFlow6NBV - Power Supply/Charger
- (1) ACM4CB - PTC Access Power Controller
- (1) VR6 - Voltage Regulator
- (1) PDS8CB - Dual Input Power Distribution Module

T2MK3F4DQV

Fully assembled kit includes:

- Trove2 enclosure with TM2 Altronix/Mercury backplane
- (1) eFlow6NBV - Power Supply/Charger
- (1) LINQ2 - Network Communications Module
- (1) ACM4CB - PTC Access Power Controller
- (1) VR6 - Voltage Regulator
- (1) PDS8CB - Dual Input Power Distribution Module

8 Door Kits:

T2MK3F8DV

Fully assembled kit includes:

- Trove2 enclosure with TM2 Altronix/Mercury backplane
- (1) eFlow6NBV - Power Supply/Charger
- (1) ACM8CB - PTC Access Power Controller
- (1) VR6 - Voltage Regulator
- (1) PDS8CB - Dual Input Power Distribution Module

T2MK3F8DQV

Fully assembled kit includes:

- Trove2 enclosure with TM2 Altronix/Mercury backplane
- (1) eFlow6NBV - Power Supply/Charger
- (1) LINQ2 - Network Communications Module
- (1) ACM8CB - PTC Access Power Controller
- (1) VR6 - Voltage Regulator
- (1) PDS8CB - Dual Input Power Distribution Module

T2MK7F8DV

Fully assembled kit includes:

- Trove2 enclosure with TM2 Altronix/Mercury backplane
- (1) eFlow104NBV - Power Supply/Charger
- (1) ACM8CB - PTC Access Power Controller
- (1) VR6 - Voltage Regulator
- (1) PDS8CB - Dual Input Power Distribution Module

T2MK7F8DQV

Fully assembled kit includes:

- Trove2 enclosure with TM2 Altronix/Mercury backplane
- (1) eFlow104NBV - Power Supply/Charger
- (1) LINQ2 - Network Communications Module
- (1) ACM8CB - PTC Access Power Controller
- (1) VR6 - Voltage Regulator
- (1) PDS8CB - Dual Input Power Distribution Module

16 Door Kits:

T2MK75F16DV

Fully assembled kit includes:

- Trove2 enclosure with TM2 Altronix/Mercury backplane and TMV2 door backplane
- (1) eFlow104NBV and (1) eFlow102NBV - Power Supply/Chargers
- (2) ACM8CB - PTC Access Power Controllers
- (1) PD16WCB - PTC Power Distribution Module

T2MK75F16DQV

Fully assembled kit includes:

- Trove2 enclosure with TM2 Altronix/Mercury backplane and TMV2 door backplane
- (1) eFlow104NBV and (1) eFlow102NBV - Power Supply/Chargers
- (1) LINQ2 - Network Communications Module
- (2) ACM8CB - PTC Access Power Controllers
- (1) PD16WCB - PTC Power Distribution Module

T2MK77F16DV

Fully assembled kit includes:

- Trove2 enclosure with TM2 Altronix/Mercury backplane and TMV2 door backplane
- (2) eFlow104NBV - Power Supply/Chargers
- (2) ACM8CB - PTC Access Power Controllers
- (1) VR6 - Voltage Regulator
- (1) PDS8CB - Dual Input Power Distribution Module

T2MK77F16DQV

Fully assembled kit includes:

- Trove2 enclosure with TM2 Altronix/Mercury backplane and TMV2 door backplane
- (2) eFlow104NBV - Power Supply/Chargers
- (1) LINQ2 - Network Communications Module
- (2) ACM8CB - PTC Access Power Controllers
- (1) VR6 - Voltage Regulator
- (1) PDS8CB - Dual Input Power Distribution Module

Please refer to the included corresponding Sub-Assembly Installation Guides for further information.

Installation Guide

All registered trademarks are property of their respective owners.

Rev. TMKDV021524

Installing Company: _____ Service Rep. Name: _____

Address: _____ Phone #: _____



More than just power.™

Overview:

Altronix Trove Mercury kits are pre-assembled and consist of Trove2M2 enclosure/backplane with factory installed Altronix power supply/charger(s) and sub-assemblies. These kits also accommodate various combinations of Mercury boards for up to sixteen (16) doors in a single enclosure.

Configuration Chart:

Altronix Model Number	Networkable	220VAC 60Hz Input Current (A)	Power Supply Board Input Fuse Rating	Power Supply Board Battery Fuse Rating	Nominal DC Output Voltage				Maximum Supply Current for Main and Aux. Outputs on Power Supply board and ACM4CB/ACM8CB Access Power Controller's outputs	Fail-Safe/Fail-Secure Outputs	Current Per ACM4CB/ACM8CB Output (A)	ACM4CB/ACM8CB Board Input Fuse (PTC) Rating	ACM4CB/ACM8CB Board Output PTC Rating	PDS8CB Board Input PTC Rating	PDS8CB Board Output PTC Rating	PD16WCB Board Output PTC Rating
					Power Supply 1		Power Supply 2									
					[DC]	[Aux]	[DC]	[Aux]								
					Output Range (VDC)	Output Range (VDC)	Output Range (VDC)	Output Range (VDC)								
T2MK3F4DV	-	2.5	5A/250V	10A/32V	20.19-26.4	20.19-26.4	-	-	24VDC @ 5.8A	4	2.0	9A	2.5A	9A	2.5A	-
T2MK3F4DQV	✓	2.5	5A/250V	10A/32V	20.19-26.4	20.19-26.4	-	-	24VDC @ 5.8A	4	2.0	9A	2.5A	9A	2.5A	-
T2MK3F8DV	-	2.5	5A/250V	10A/32V	20.19-26.4	20.19-26.4	-	-	24VDC @ 5.8A	8	2.0	10A/250V	2.5A	9A	2.5A	-
T2MK3F8DQV	✓	2.5	5A/250V	10A/32V	20.19-26.4	20.19-26.4	-	-	24VDC @ 5.8A	8	2.0	10A/250V	2.5A	9A	2.5A	-
T2MK7F8DV	-	2.7	6.3A/250V	15A/32V	20.17-26.4	20.28-26.4	-	-	24VDC @ 9.2A	8	2.0	10A/250V	2.5A	9A	2.5A	-
T2MK7F8DQV	✓	2.7	6.3A/250V	15A/32V	20.17-26.4	20.28-26.4	-	-	24VDC @ 9.2A	8	2.0	10A/250V	2.5A	9A	2.5A	-
T2MK75F16DV	-	4.8	6.3A/250V	15A/32V	20.17-26.4	20.28-26.4	9.7-13.2	10.03-13.2	12VDC @ 9.3A 24VDC @ 9.2A	16	2.0	10A/250V	2.5A	-	-	2.5A
			5A/250V													
T2MK75F16DQV	✓	4.8	6.3A/250V	15A/32V	20.17-26.4	20.28-26.4	9.7-13.2	10.03-13.2	12VDC @ 9.3A 24VDC @ 9.2A	16	2.0	10A/250V	2.5A	-	-	2.5A
			5A/250V													
T2MK77F16DV	-	5.4	6.3A/250V	15A/32V	20.17-26.4	20.28-26.4	20.17-26.4	20.28-26.4	24VDC @ 9.2A	16	2.0	10A/250V	2.5A	9A	2.5A	-
T2MK77F16DQV	✓	5.4	6.3A/250V	15A/32V	20.17-26.4	20.28-26.4	20.17-26.4	20.28-26.4	24VDC @ 9.2A	16	2.0	10A/250V	2.5A	9A	2.5A	-

Installation Instructions:

Wiring methods shall be in accordance with the National Electrical Code/NFPA 70/ANSI, and with all local codes and authorities having jurisdiction.

Product is intended for indoor use only.

1. Remove backplane(s) from enclosure. Do not discard hardware.
2. Mark and predrill holes in the wall to line up with the top three keyholes in the enclosure. Install three upper fasteners and screws in the wall with the screw heads protruding. Place the enclosure's upper keyholes over the three upper screws, level and secure. Mark the position of the lower three holes. Remove the enclosure. Drill the lower holes and install the three fasteners. Place the enclosure's upper keyholes over the three upper screws. Install the three lower screws and make sure to tighten all screws.
3. Mount included UL Listed tamper switch (Altronix Model TS112 or equivalent) in desired location, opposite hinge. Slide the tamper switch bracket onto the edge of the enclosure approximately 2" from the right side (Fig. 1, pg. 2). Connect tamper switch wiring to the Access Control Panel input or the appropriate UL Listed reporting device. To activate alarm signal open the door of the enclosure.
4. Connect unswitched AC power (220VAC 60Hz) to terminals marked [L, N]. Use 14 AWG or larger for all power connections. Secure green wire lead to earth ground. Green "AC" LED on power supply board will turn on. This light can be seen through the LED lens on the door of the enclosure.

Keep power-limited wiring separate from non power-limited wiring (220VAC 60Hz Input, Battery Wires).

Minimum 0.25" spacing must be provided. CAUTION: Do not touch exposed metal parts. Shut branch circuit power before installing or servicing equipment. There are no user serviceable parts inside. Refer installation and servicing to qualified service personnel.

5. Measure voltage before connecting devices. This helps avoiding potential damage.
6. Refer to the *eFlow Power Supply/Charger Installation Guide* for eFlow6NBV, eFlow102NBV, eFlow104NBV and *Sub-Assembly Installation Guide* for the following models: ACM4CB, ACM8CB, LINQ2, PDS8CB, PD16WCB, VR6 for further installation instructions.
7. Fasten snap on spacers onto metal pems configuration of backplane depending on the Mercury access controller (Fig. 2-5, pg. 3-6).
8. Position Mercury access controller module over corresponding spacers and depress onto snap on spacers (Fig. 2-5, pg. 3-6).
9. Mount backplane to enclosure with hardware.

Hardware:

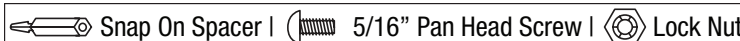
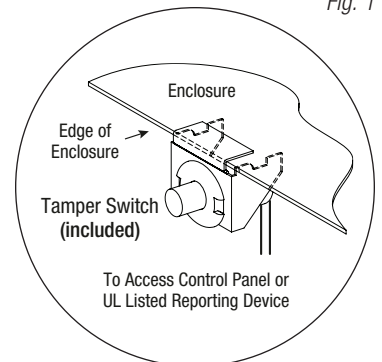


Fig. 1



T2MK3F4DV, T2MK3F4DQV, T2MK3F8DV, T2MK3F8DQV: Configuration of Mercury Boards:

1. Fasten snap on spacers onto metal pems configuration (A), (B), (C) or (D) of backplane depending on the access controller (Fig. 2, pg. 3).
2. Position access controller module over corresponding spacers and depress onto snap on spacers (Fig. 2a, pg. 3).
3. Mount backplane to enclosure with hardware.

Access Controller Position Chart for the Following Models:

Mercury Access Controller	Pem Mounting
EP1502, MR52, MR16IN, MR16OUT	(A)
EP2500, MUX8	(B)
EP1501, MR51e	(C)
MR50	(D)

Fig. 2

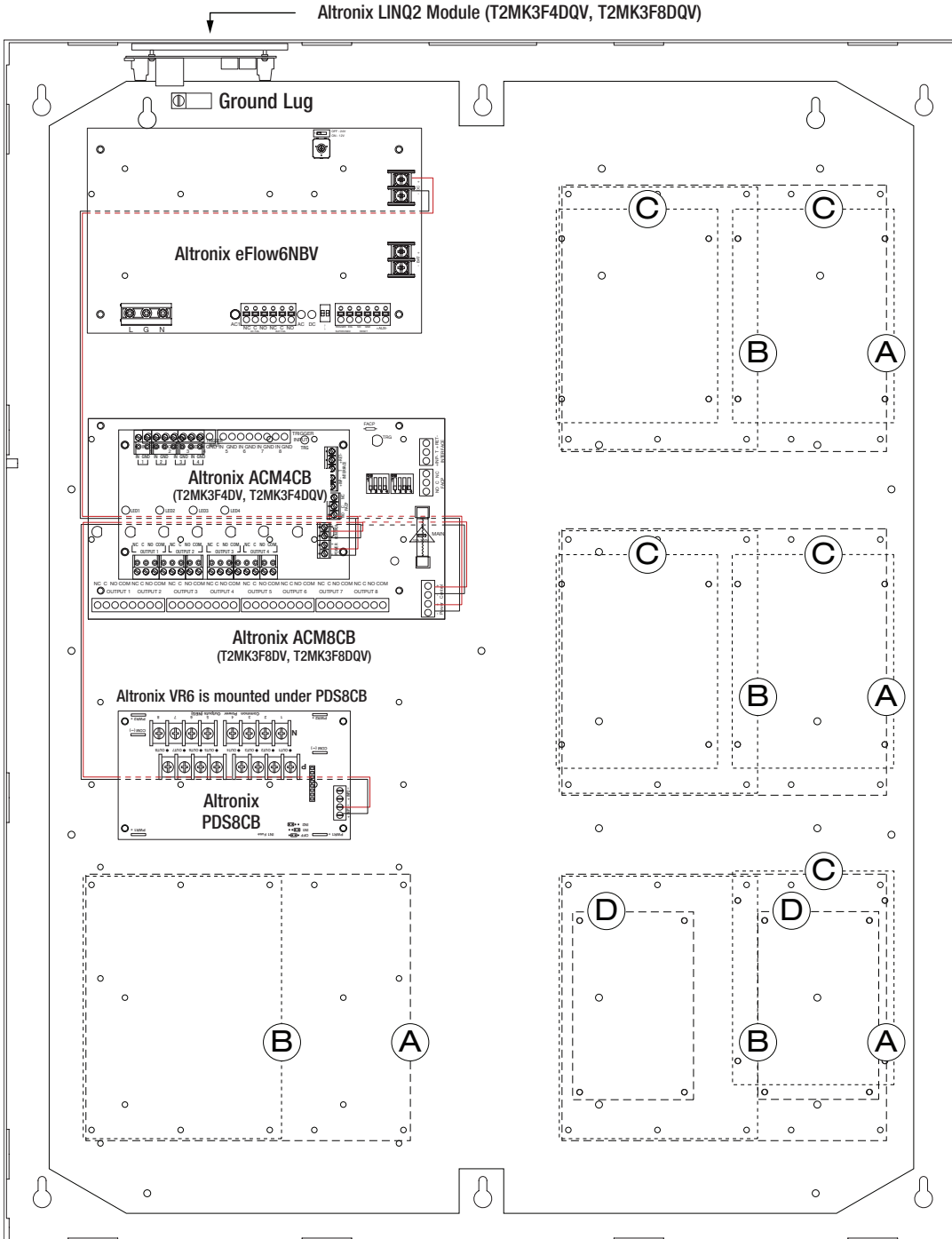
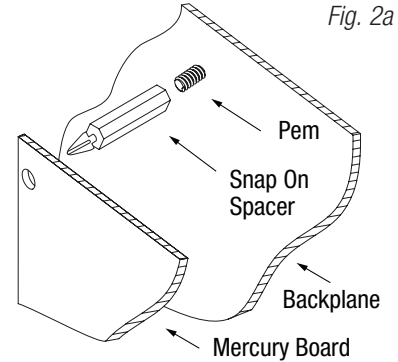


Fig. 2a



T2MK7F8DV, T2MK7F8DQV: Configuration of Mercury Boards:

1. Fasten snap on spacers onto metal pems configuration (A), (B), (C) or (D) of backplane depending on the access controller (Fig. 3, pg. 4).
2. Position access controller module over corresponding spacers and depress onto snap on spacers (Fig. 3a, pg. 4).
3. Mount backplane to enclosure with hardware.

Access Controller Position Chart for the Following Models:

Mercury Access Controller	Pem Mounting
EP1502, MR52, MR16IN, MR16OUT	(A)
EP2500, MUX8	(B)
EP1501, MR51e	(C)
MR50	(D)

Fig. 3

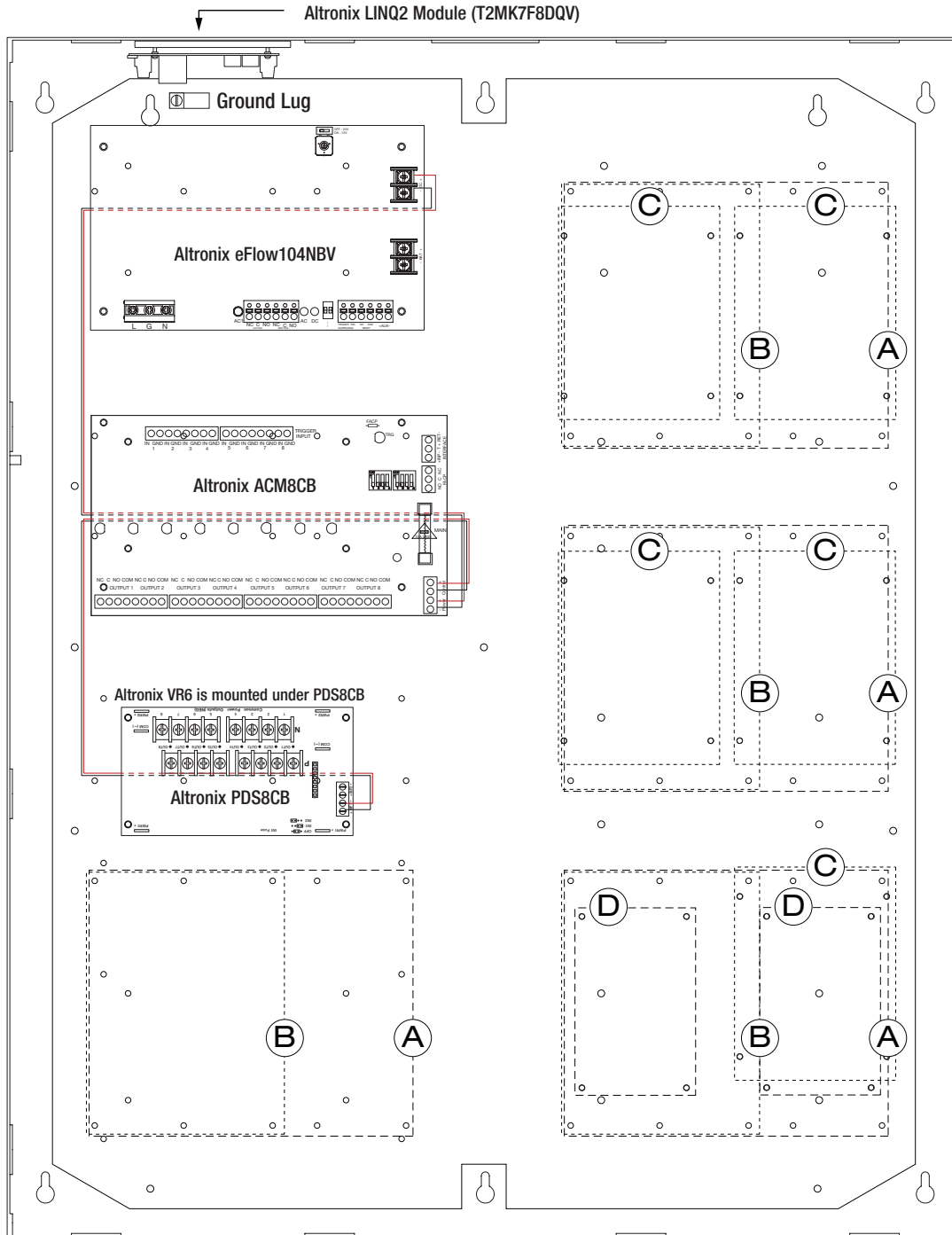
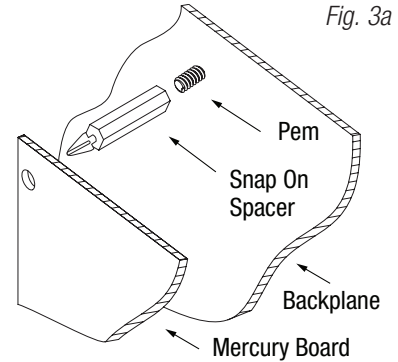


Fig. 3a



T2MK75F16DV, T2MK75F16DQV: Configuration of Mercury Boards:

1. Fasten snap on spacers onto metal pems configuration (A), (B), (C) or (D) of backplane depending on the access controller (Fig. 4, pg. 5).
2. Position access controller module over corresponding spacers and depress onto snap on spacers (Fig. 4a, pg. 5).
3. Mount backplane to enclosure with hardware.

Access Controller Position Chart for the Following Models:

Mercury Access Controller	Pem Mounting
EP1502, MR52, MR16IN, MR16OUT	(A)
EP2500, MUX8	(B)
EP1501, MR51e	(C)
MR50	(D)

Fig. 4

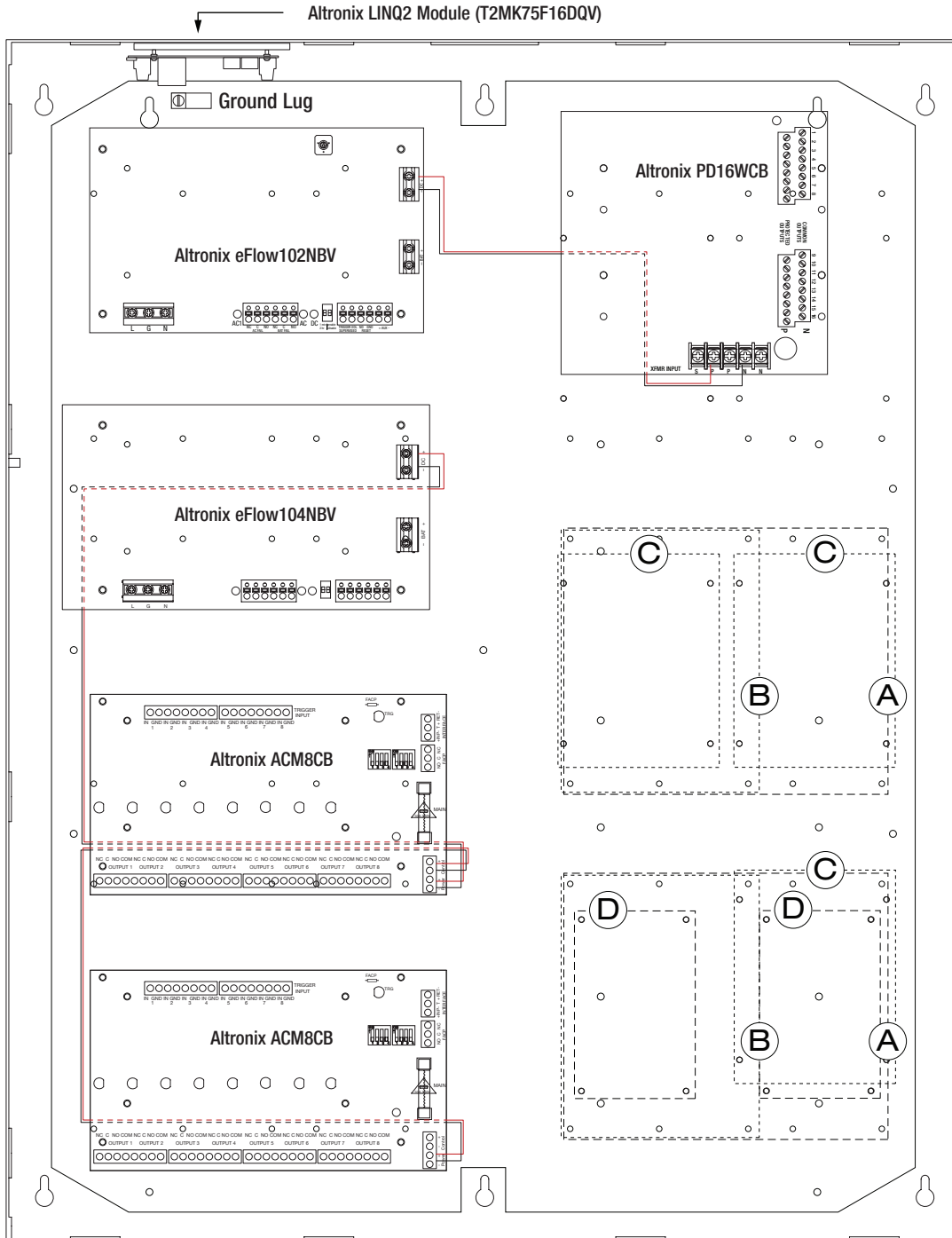
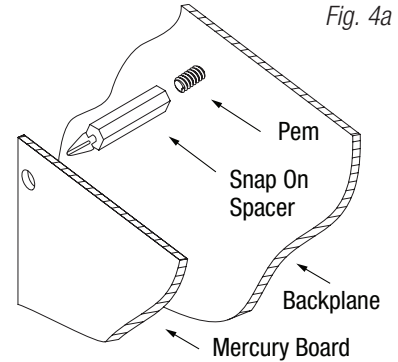


Fig. 4a



T2MK77F16DV, T2MK77F16DQV: Configuration of Mercury Boards:

1. Fasten snap on spacers onto metal pems configuration (A), (B), (C) or (D) of backplane depending on the access controller (Fig. 5, pg. 6).
2. Position access controller module over corresponding spacers and depress onto snap on spacers (Fig. 5a, pg. 6).
3. Mount backplane to enclosure with hardware.

Access Controller Position Chart for the Following Models:

Mercury Access Controller	Pem Mounting
EP1502, MR52, MR16IN, MR16OUT	(A)
EP2500, MUX8	(B)
EP1501, MR51e	(C)
MR50	(D)

Fig. 5

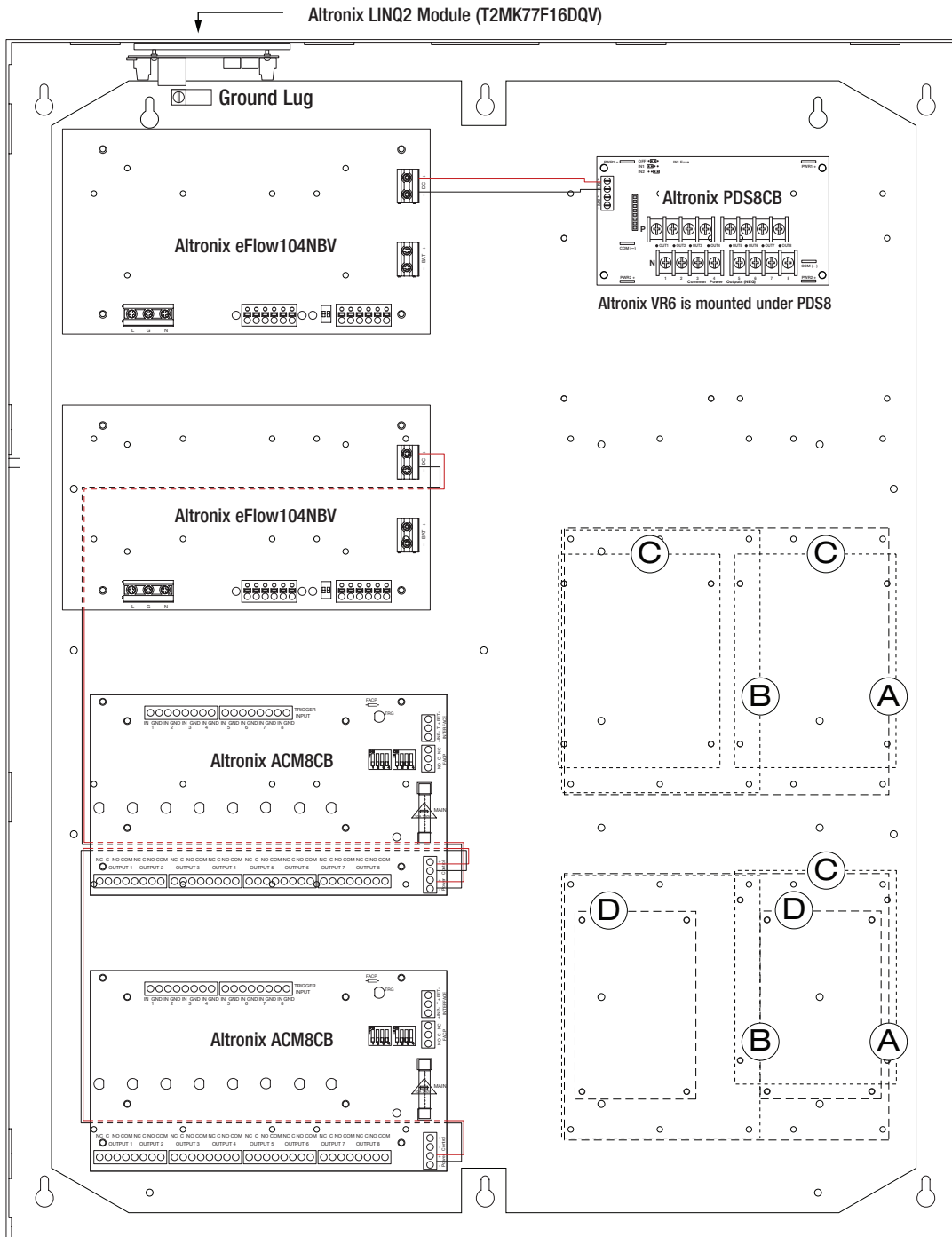
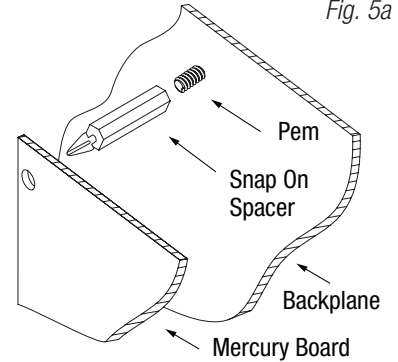


Fig. 5a



TMV2 (T2MK75F16DV, T2MK75F16DQV, T2MK77F16DV, and T2MK77F16DQV):

TMV2 accommodates a variety of Mercury boards with or without Altronix sub-assemblies for access systems.

Configuration of Mercury and/or Altronix Boards

Mercury Access Controllers:

1. Fasten spacers onto metal pems configuration (A) (B) of backplane depending on the access controller (Fig. 6, pg. 7).
2. Position access controller module over corresponding spacers and depress onto snap on spacers (Fig. 6a, pg. 7).
3. Mount backplane to enclosure with hardware.

Altronix Sub-Assemblies and/or Adapters:

1. Fasten spacers to pems which match the hole pattern (C) for Altronix Sub-Assemblies (Fig. 6, 6a, pg. 7).
2. Mount boards to spacers utilizing pan head screws provided with the product (Fig. 6, pg. 7).

Access Controller Position Chart for the Following Models:

Mercury	
Access Controller	Pem Mounting
EP1502, MR52, MR16IN, MR16OUT	(A)
EP2500, MUX8	(B)
Altronix	
Sub-Assembly or Adapter	Pem Mounting
ACM4(CB), MOM5, PD4UL(CB), PD8UL(CB), PDS8(CB), VR6, GB1 (Genetec Synergis Cloud Link adapter plate)	(C)

Fig. 6

